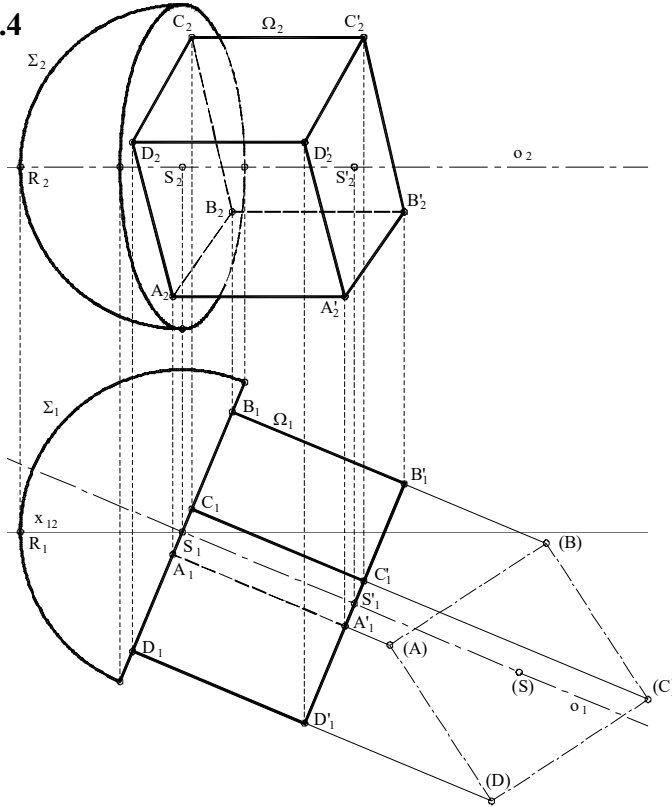
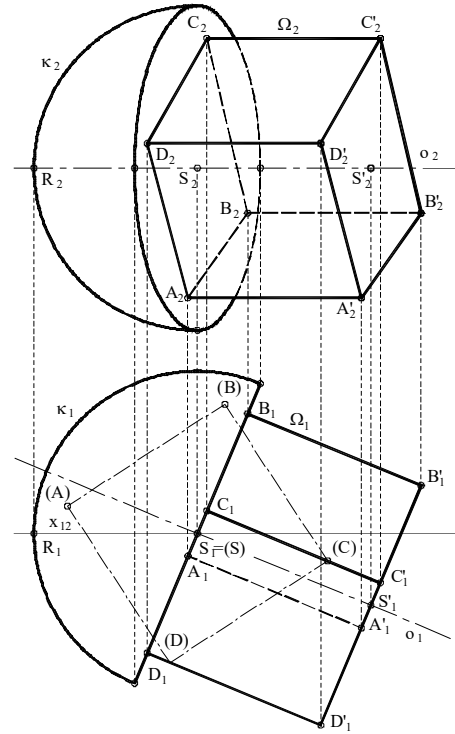




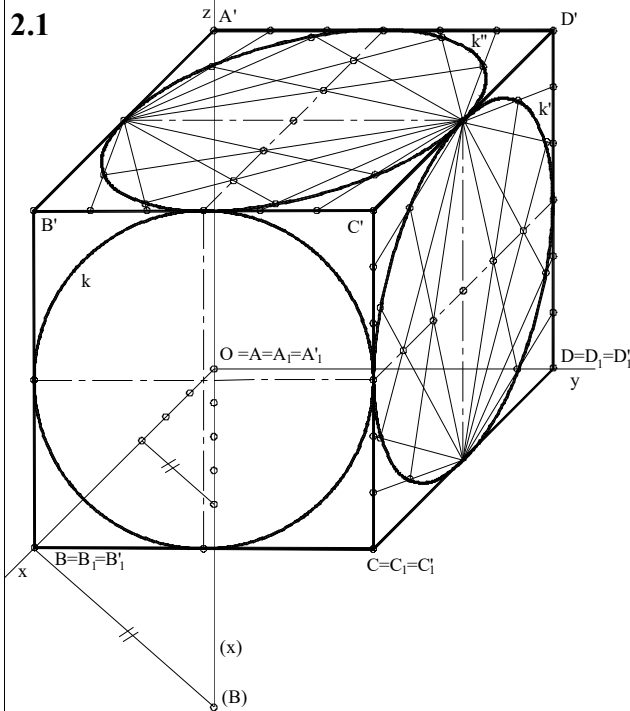
1.4



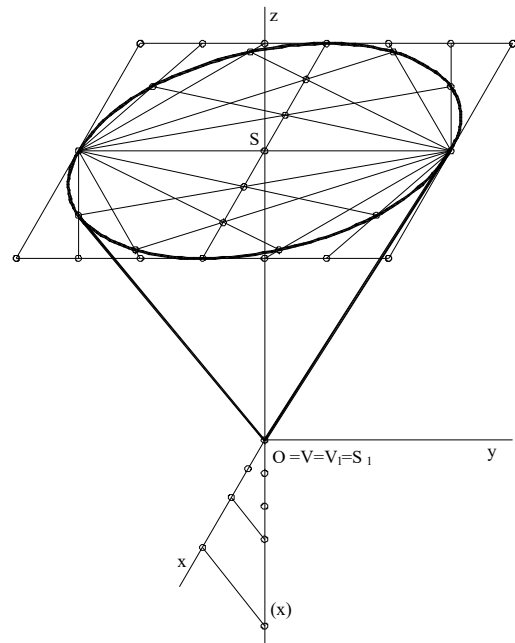
1.4 Rotation into principle plane parallel with  $\pi$  passing through axis  $o$



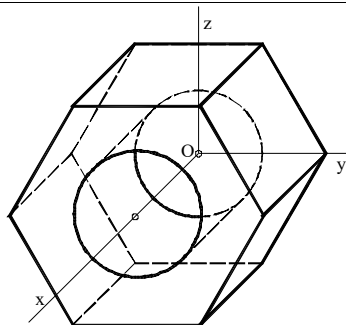
2.1



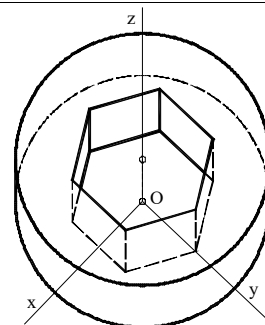
2.2



2.3

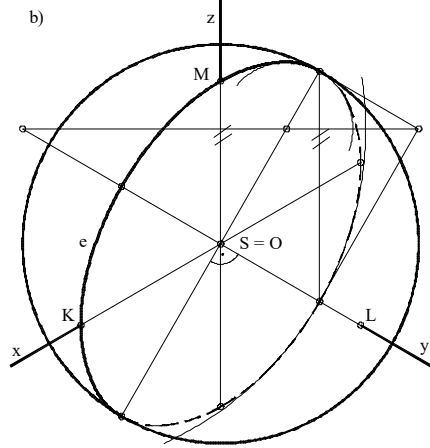
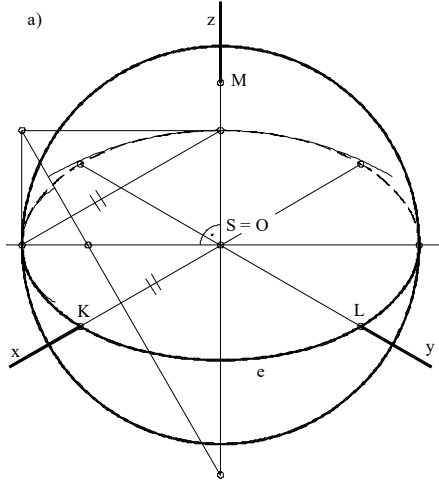


2.4

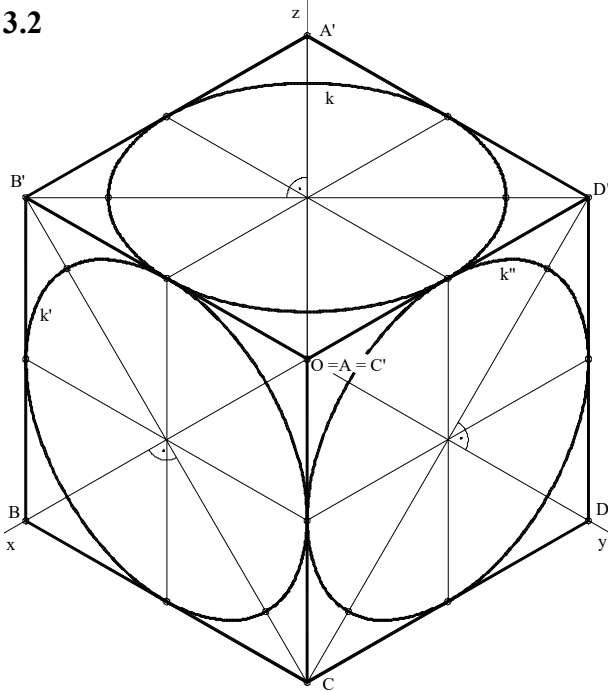


SOLUTIONS

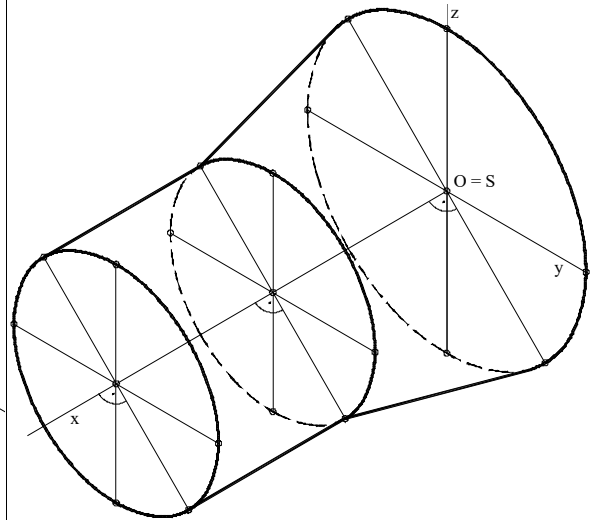
3.1



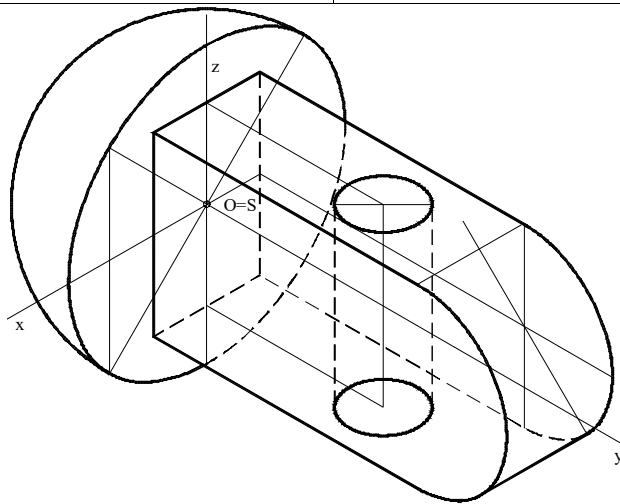
3.2



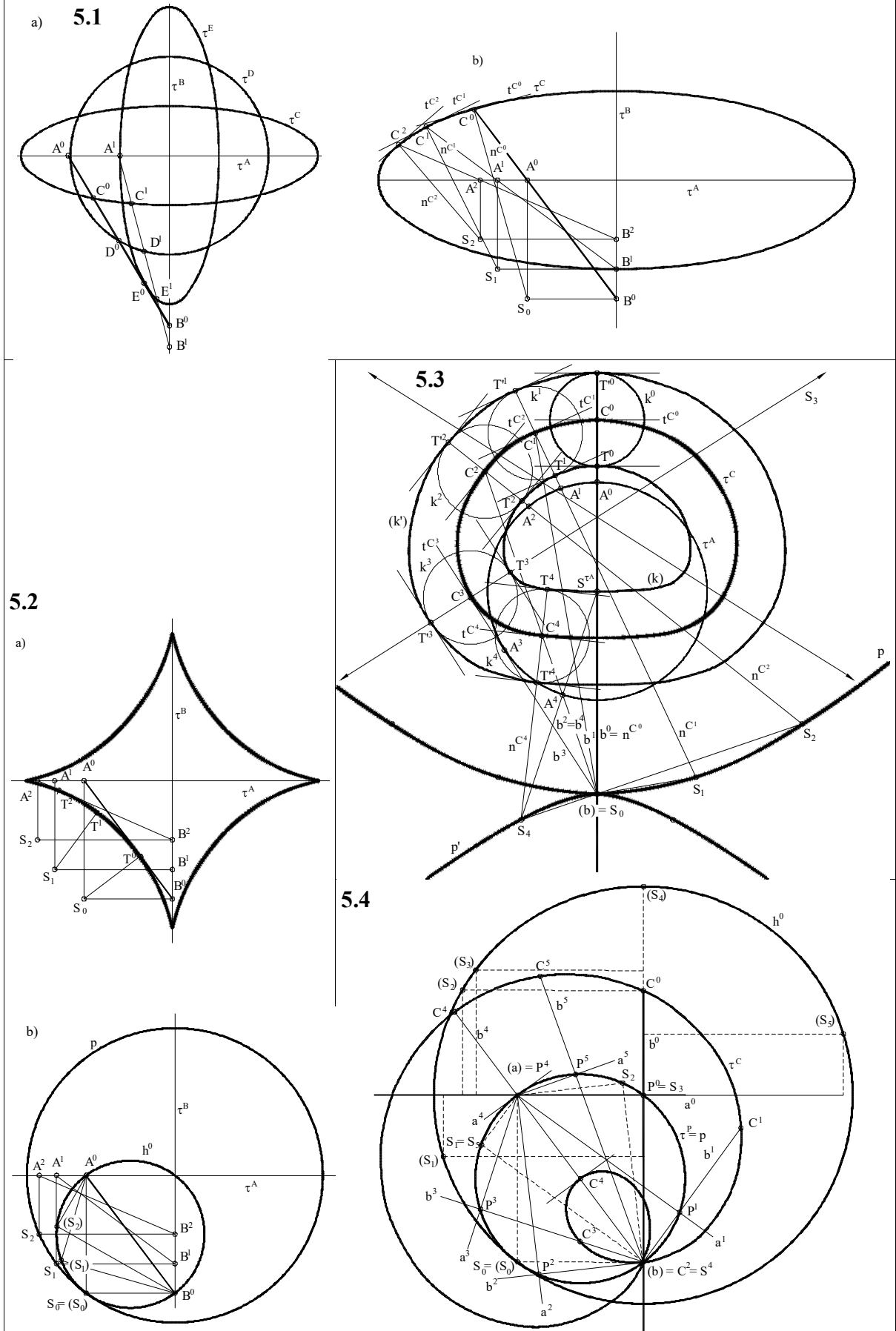
3.3



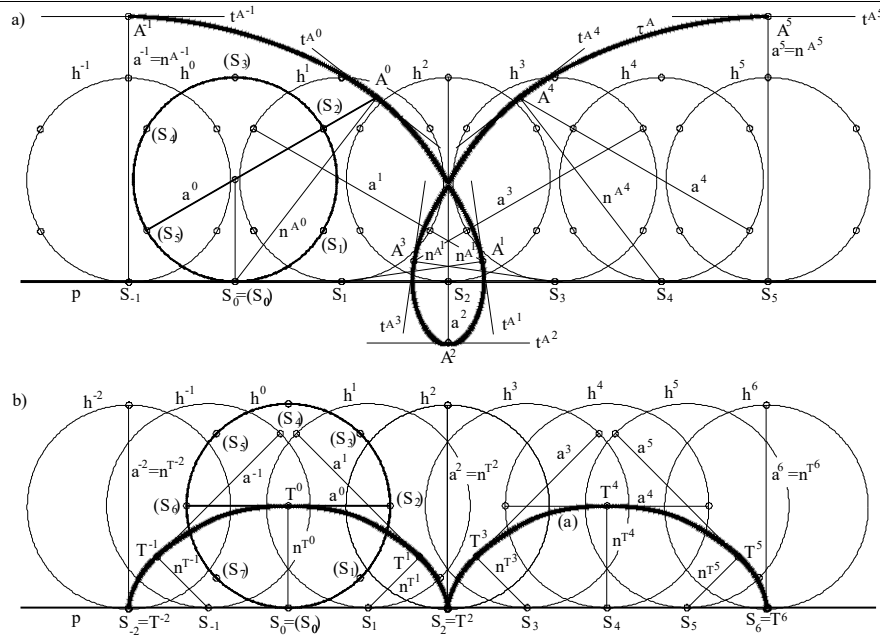
3.4



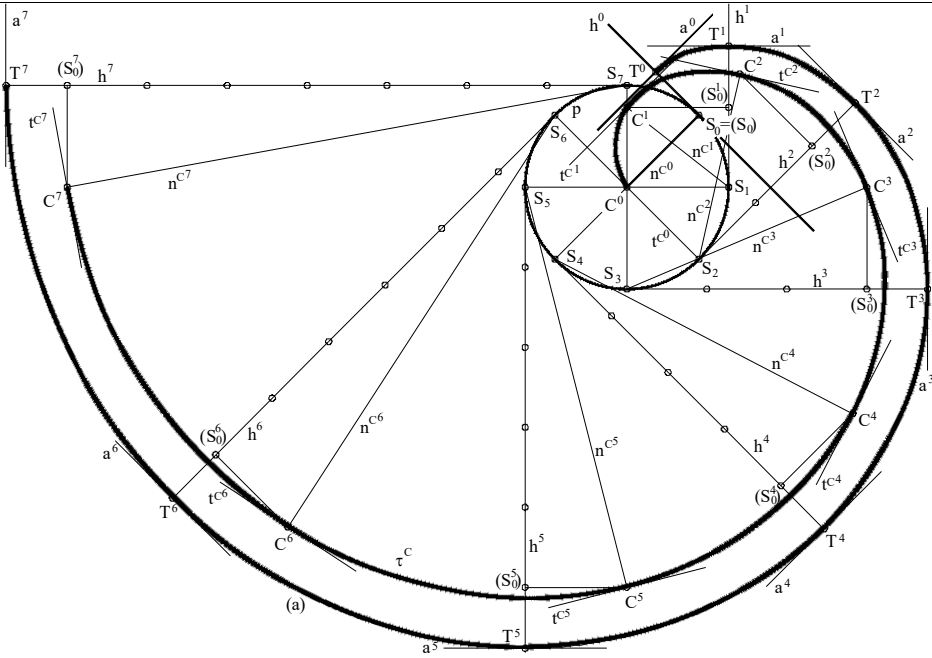




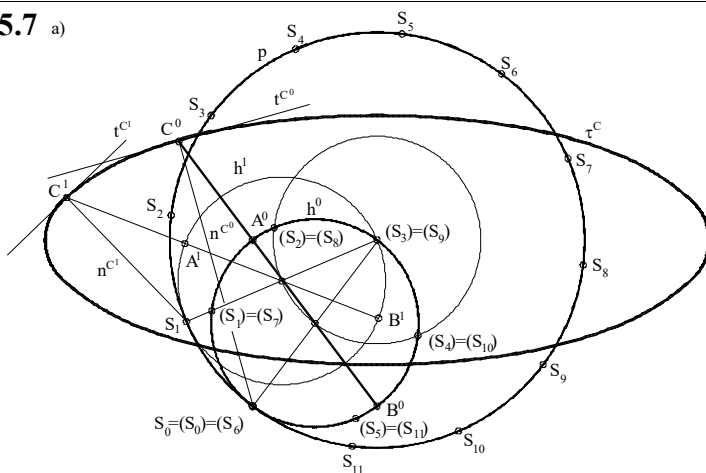
5.5



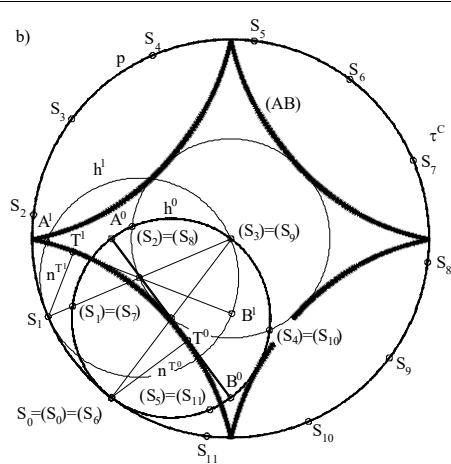
5.6



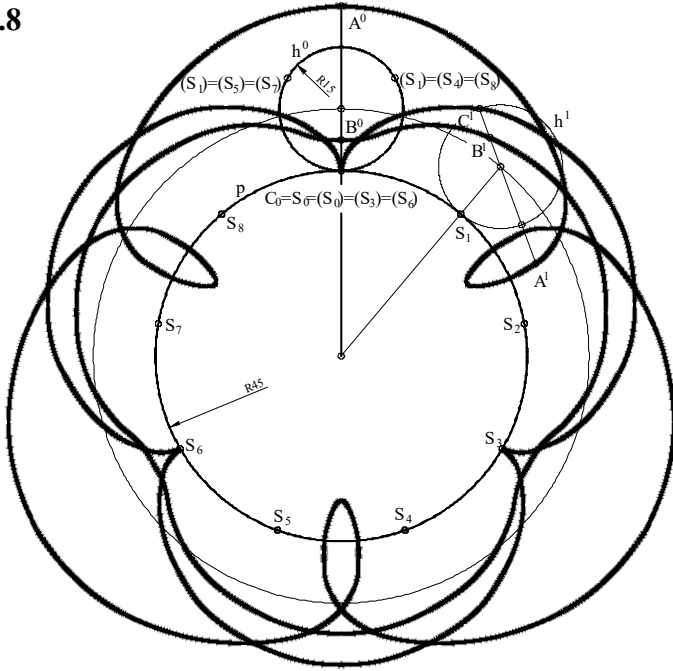
5.7 a)



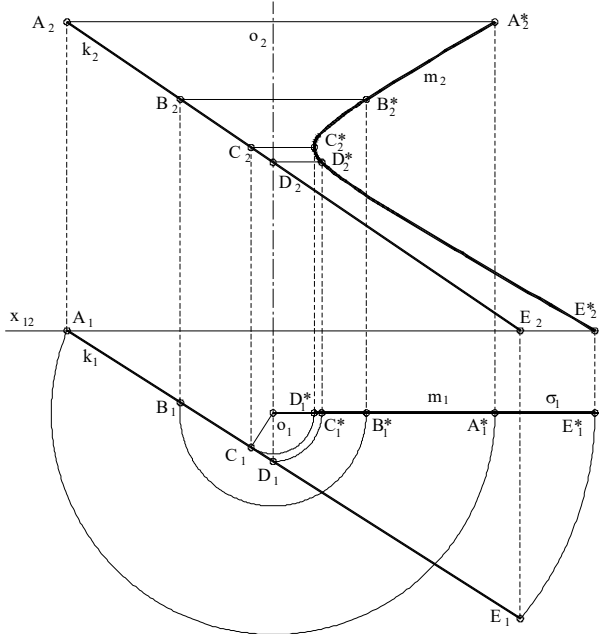
b)



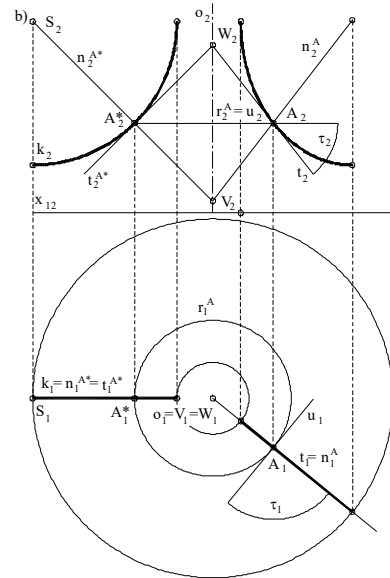
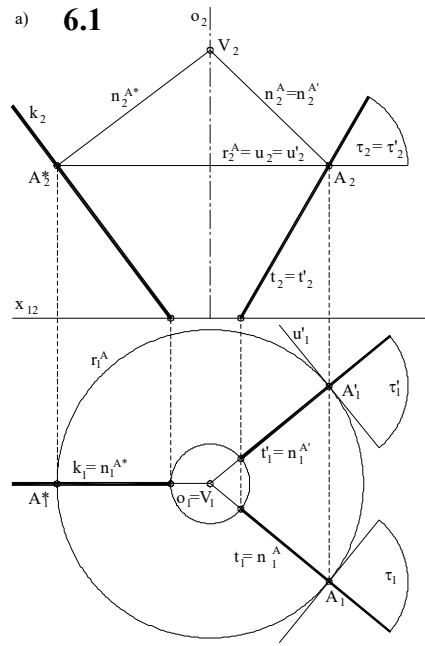
5.8



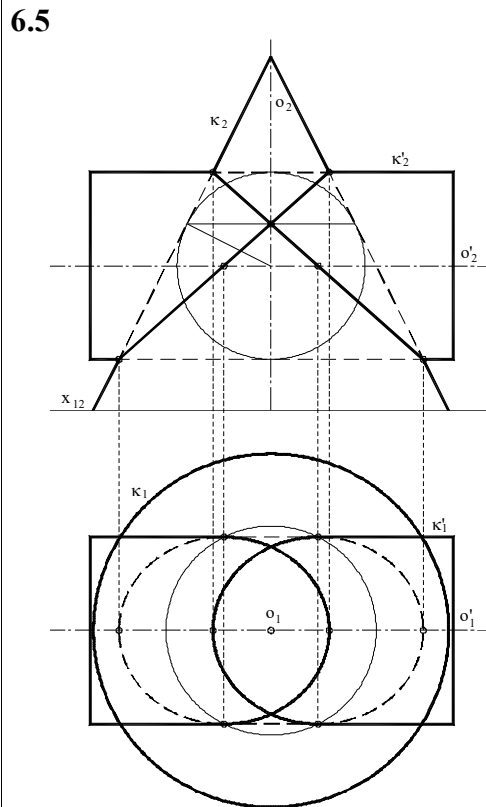
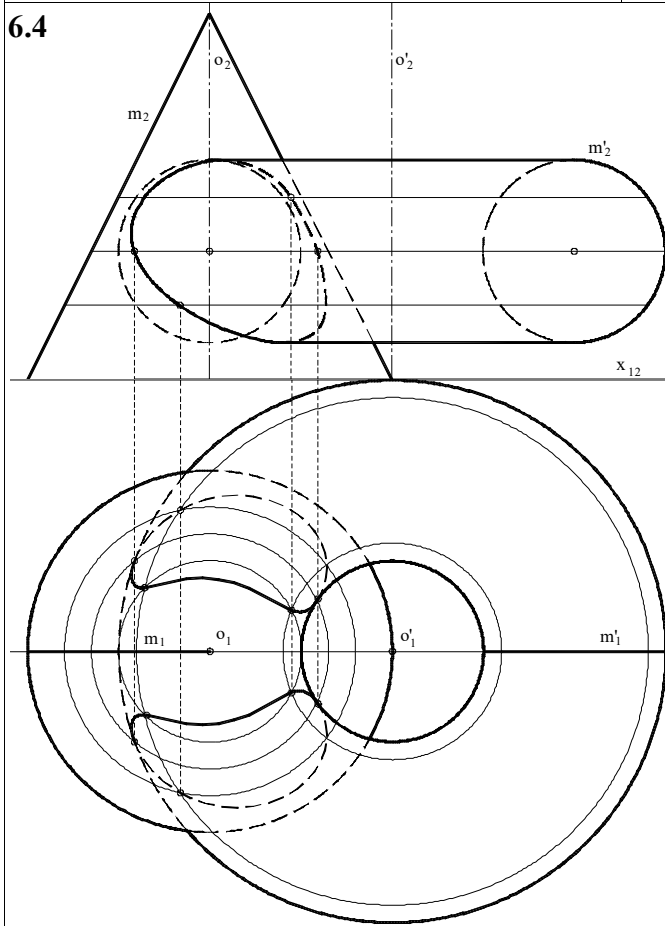
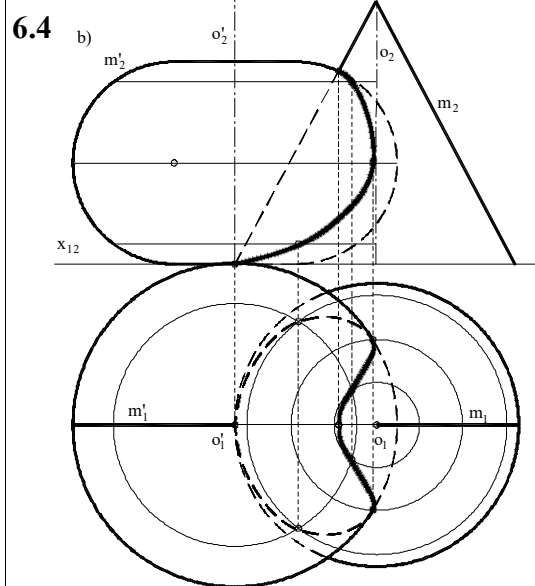
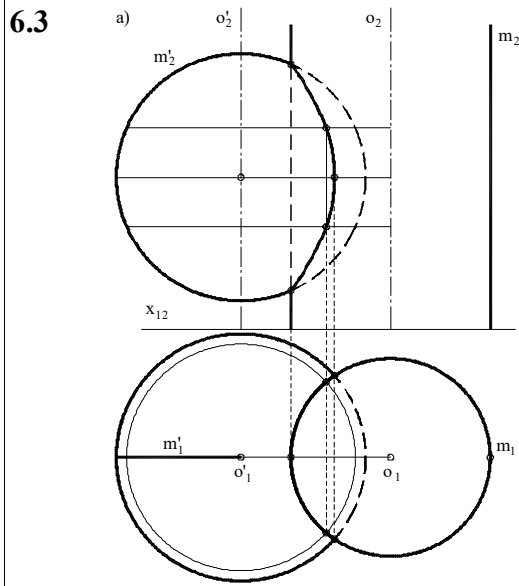
6.2



a) 6.1

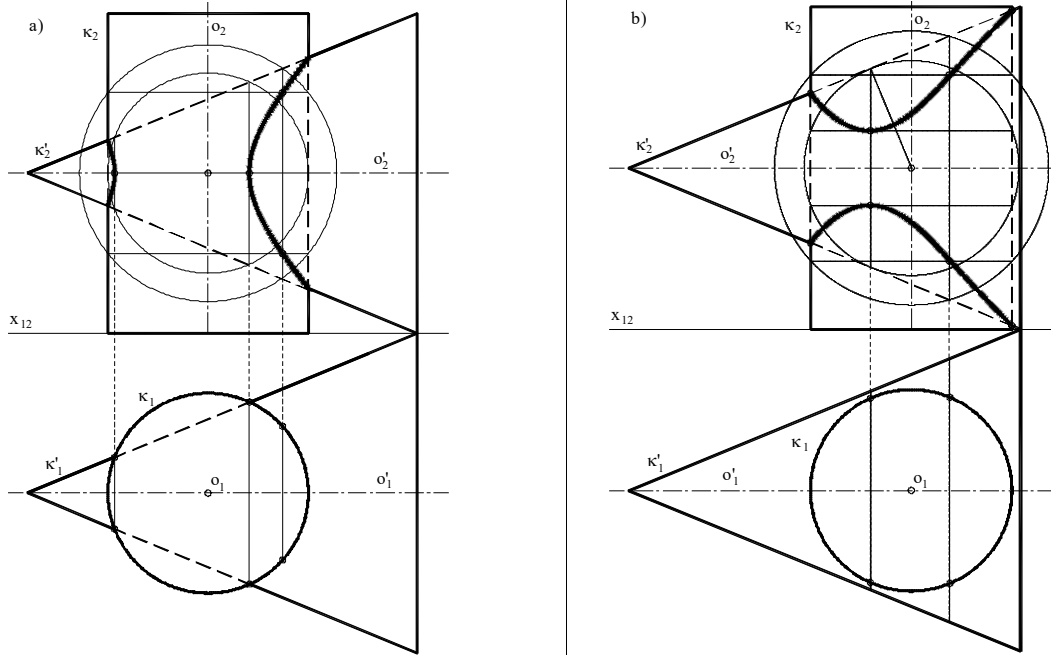


SOLUTIONS

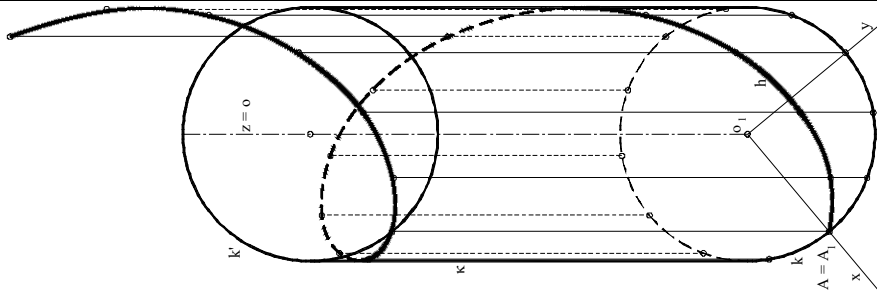


SOLUTIONS

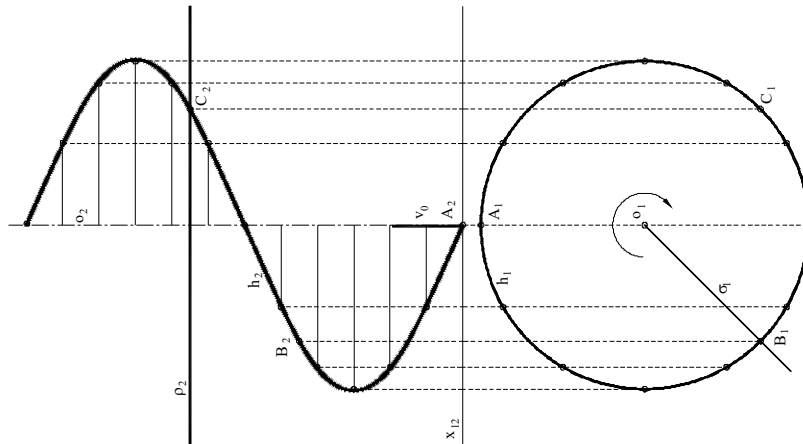
6.6



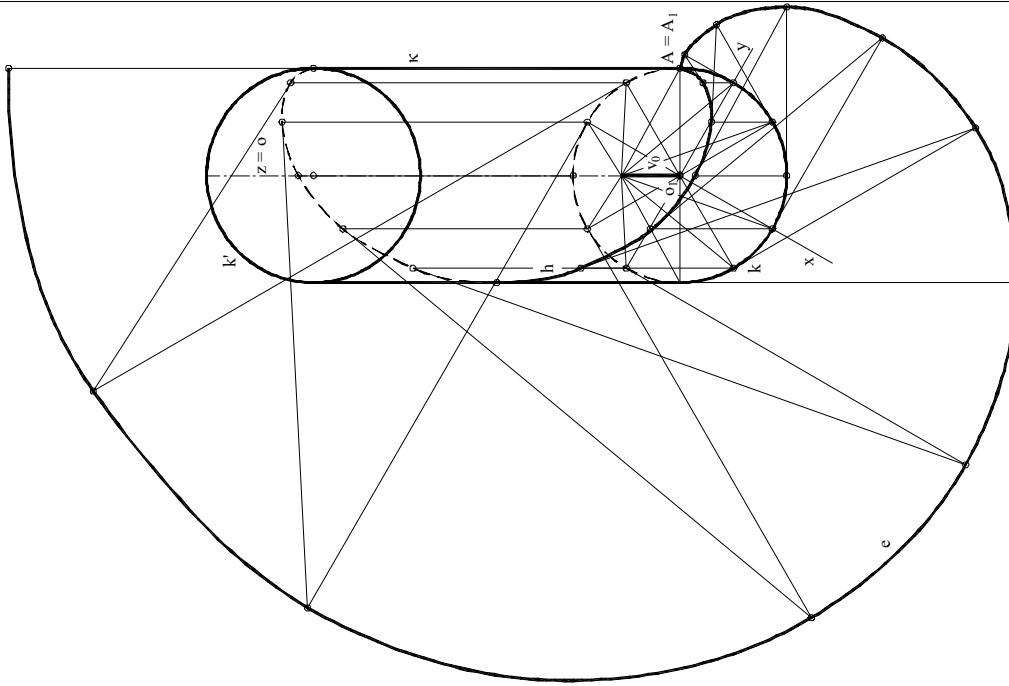
7.1



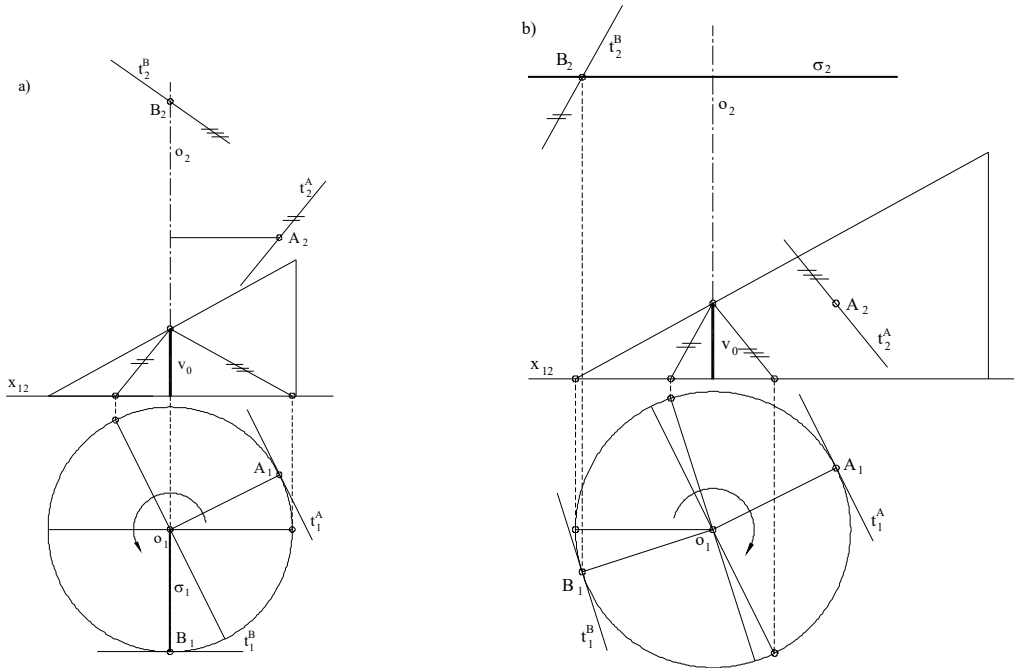
7.2



7.3

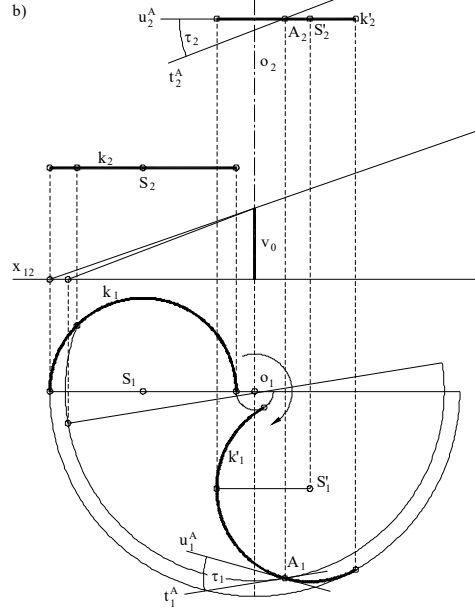
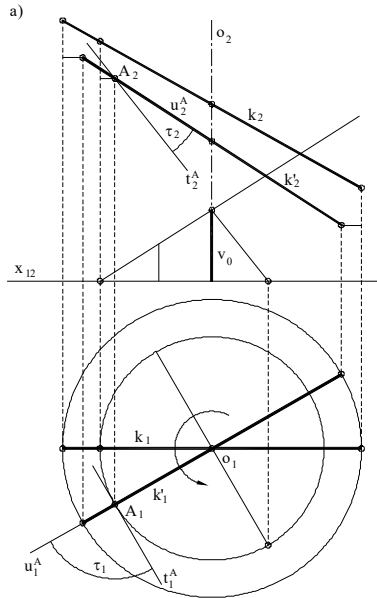


7.4

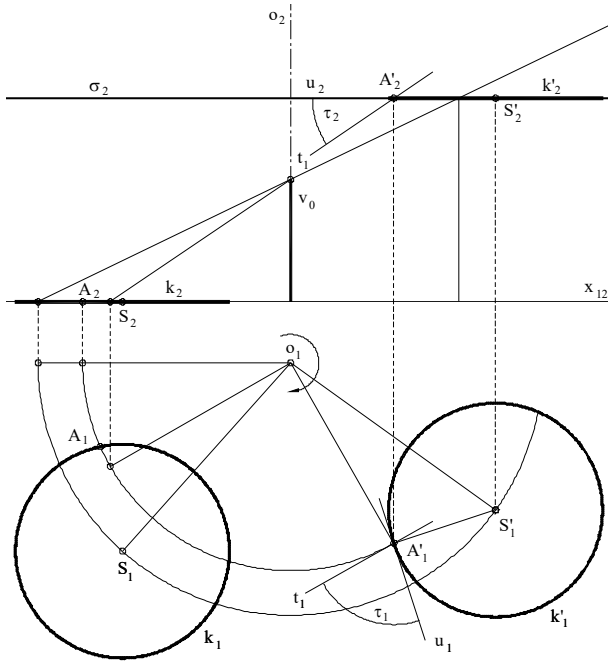


SOLUTIONS

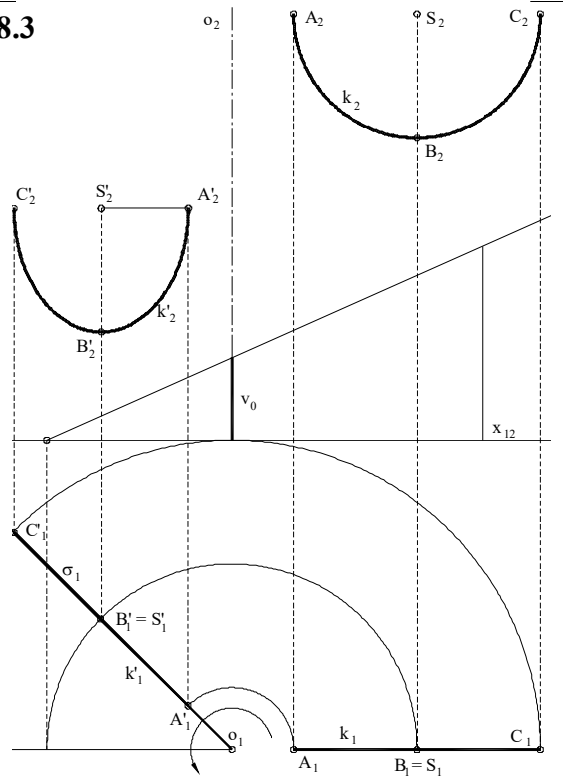
8.1



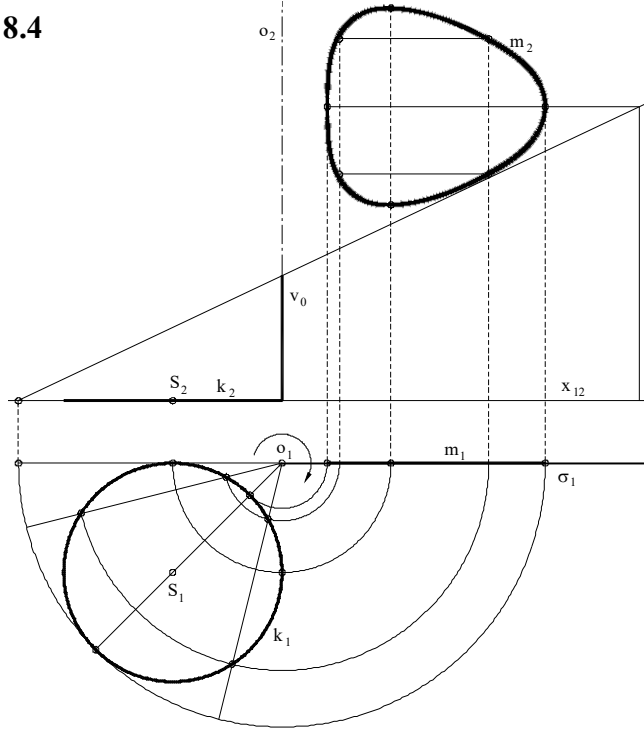
8.2



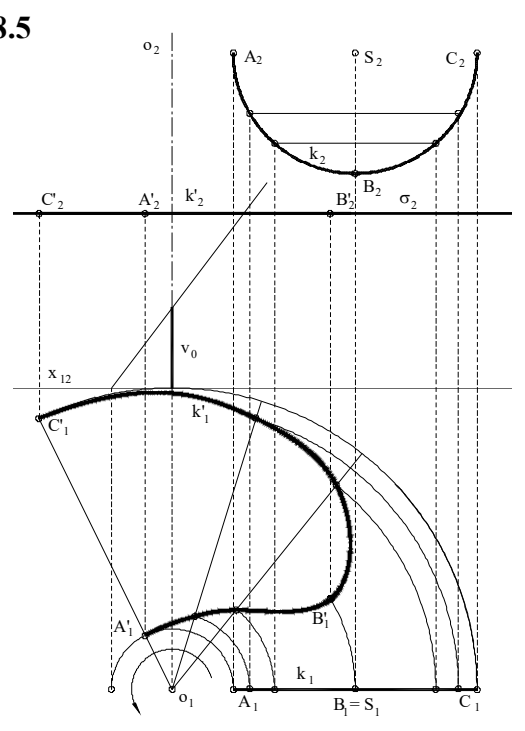
8.3



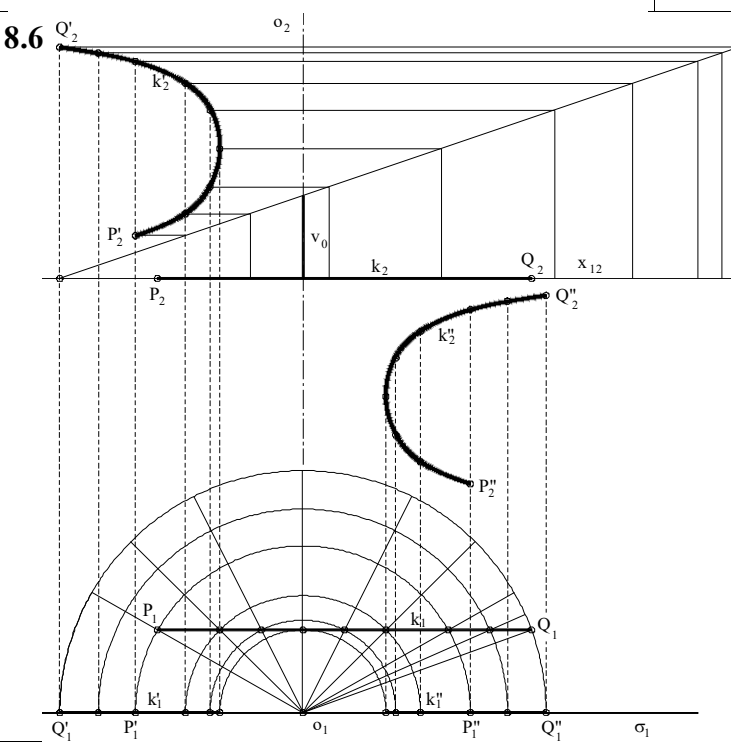
8.4



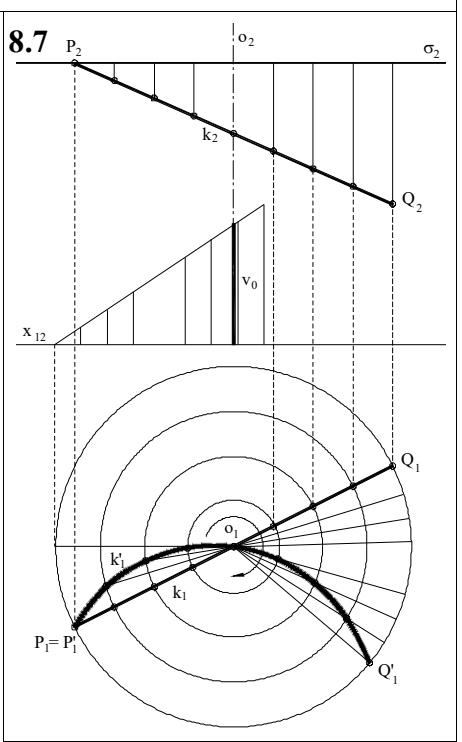
8.5



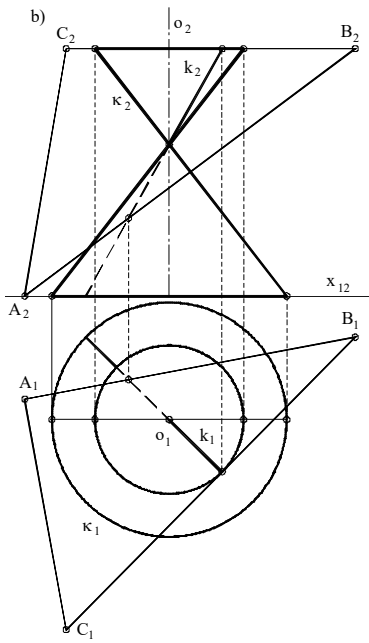
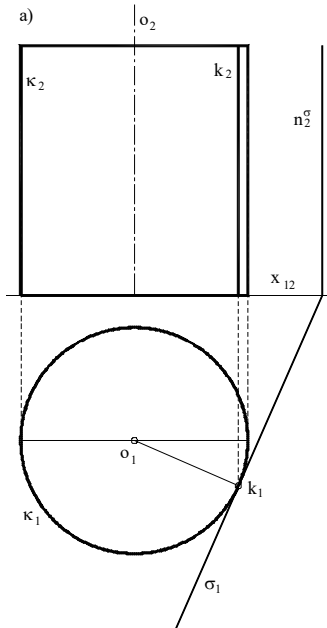
8.6



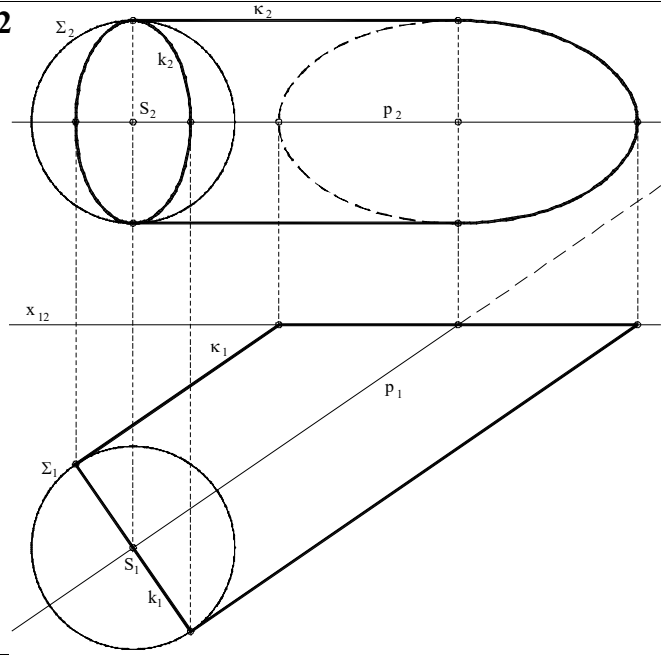
8.7



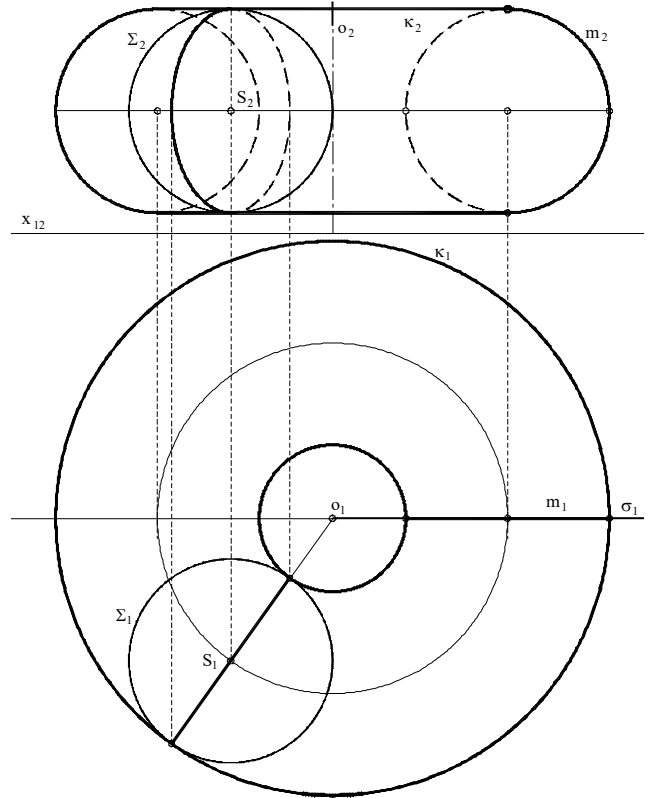
9.1



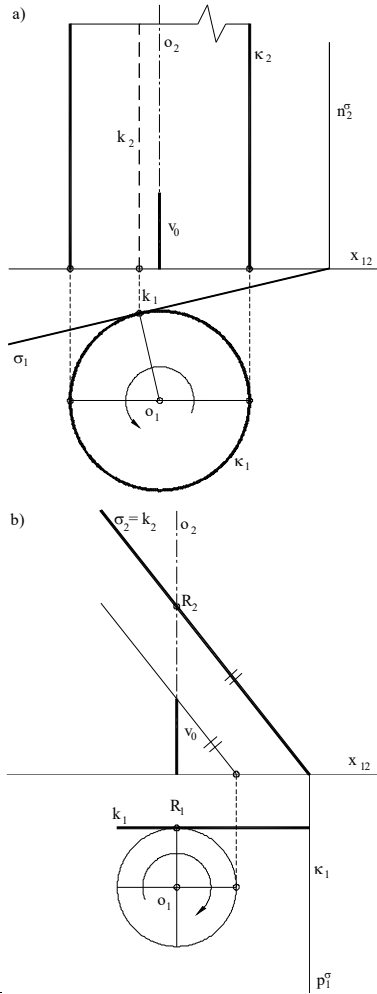
9.2



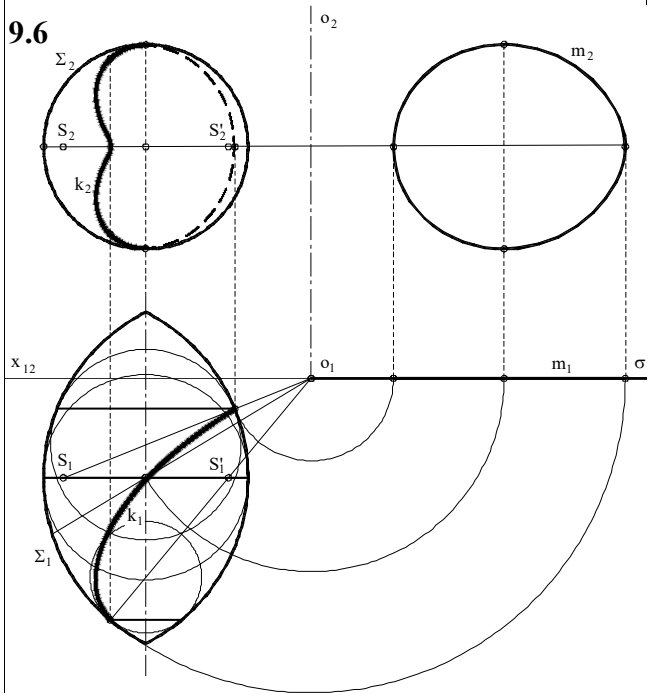
9.3



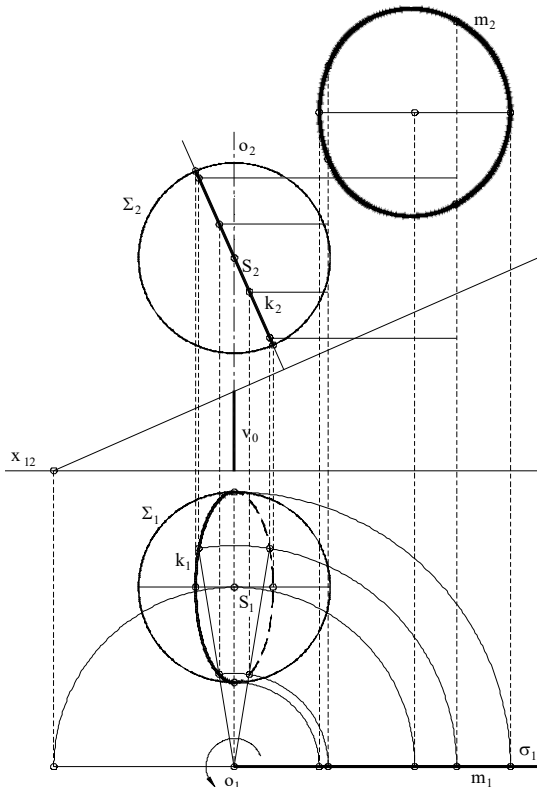
9.4



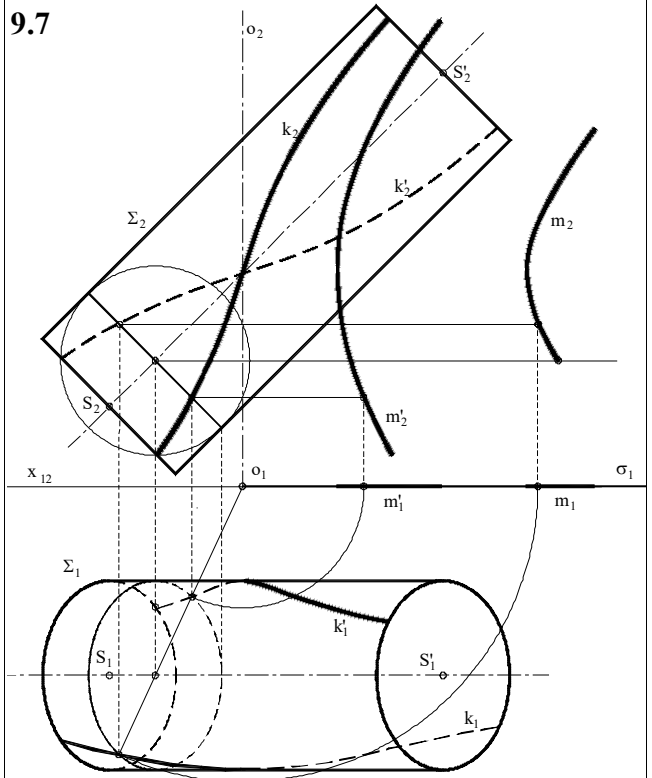
9.6



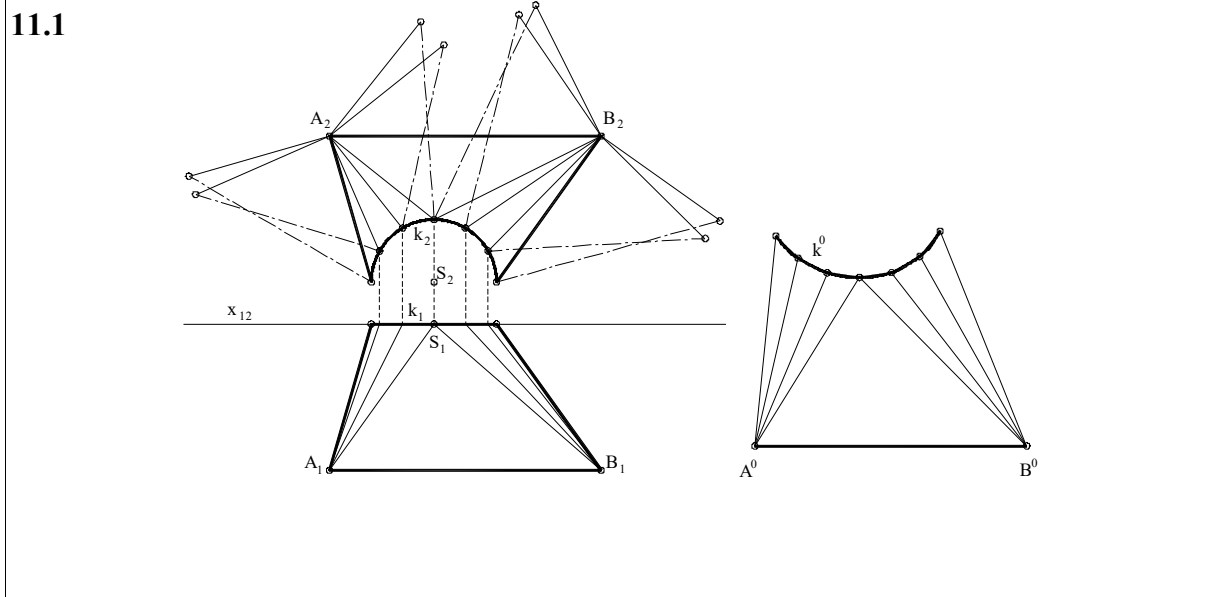
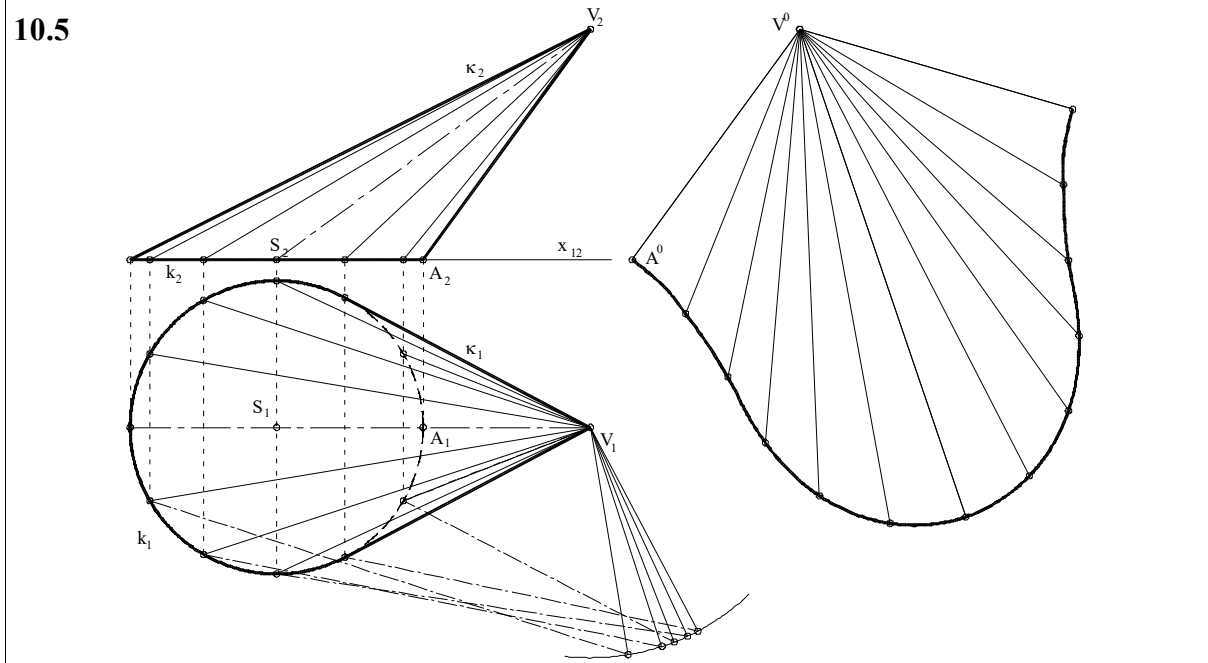
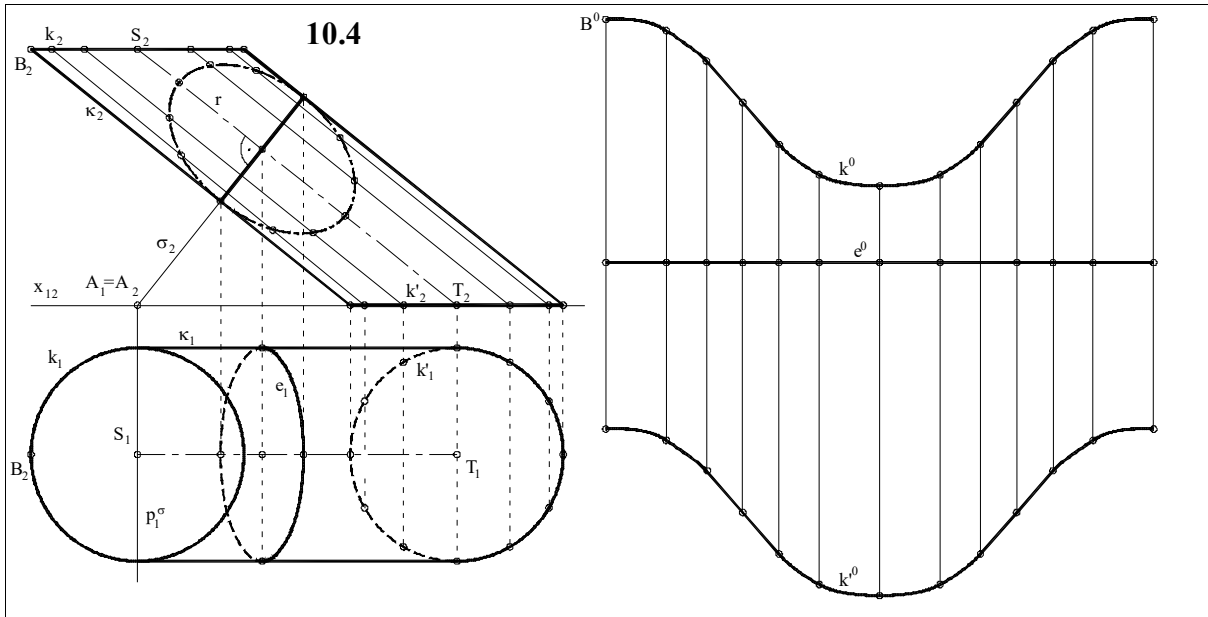
9.5



9.7

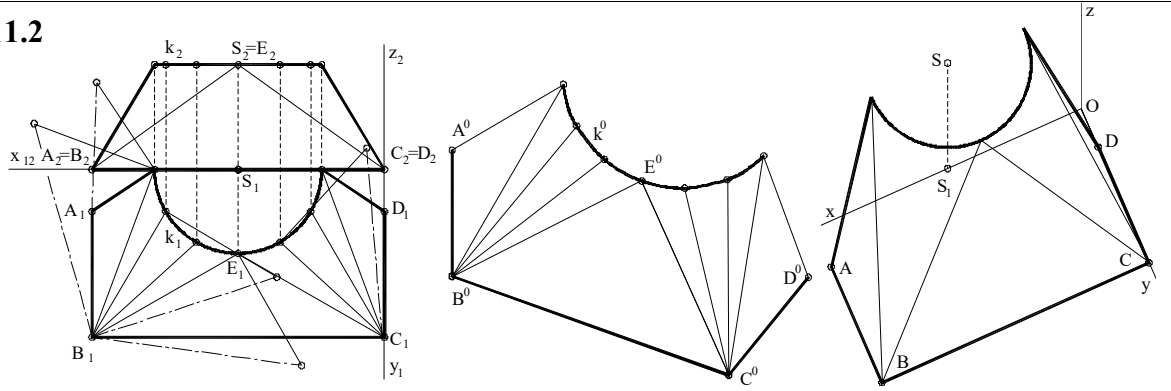




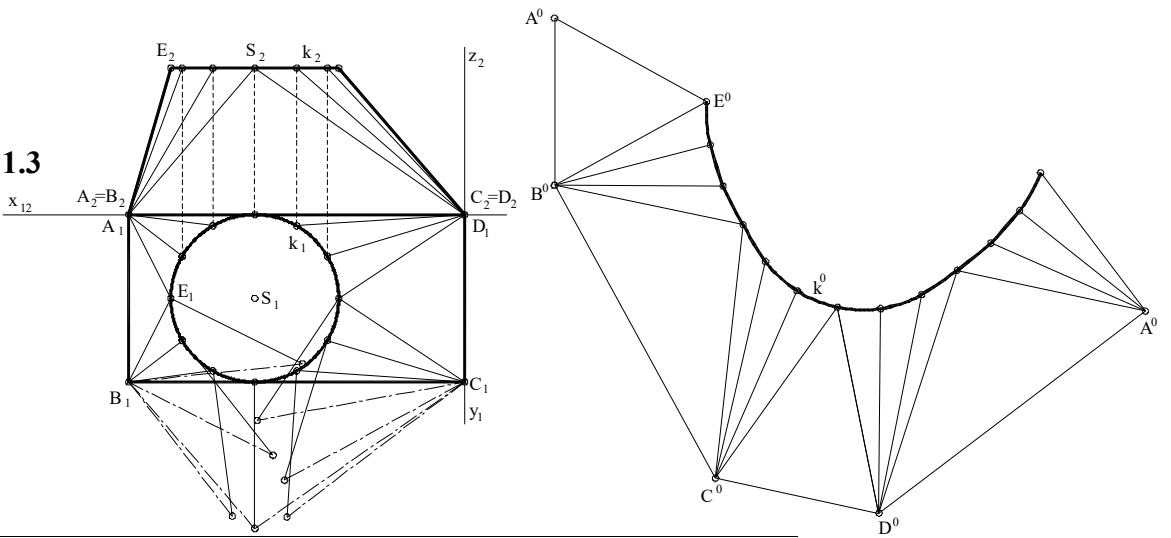


SOLUTIONS

11.2



11.3



11.4

